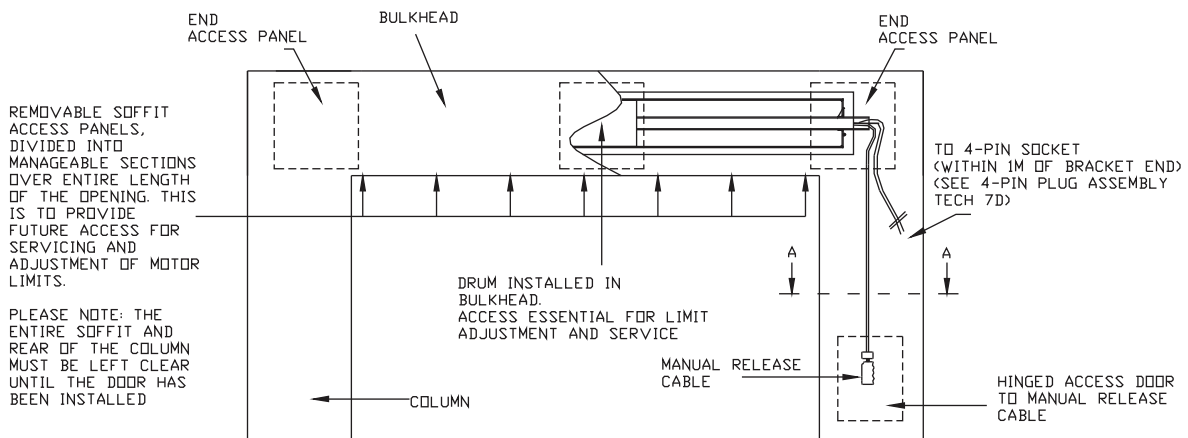
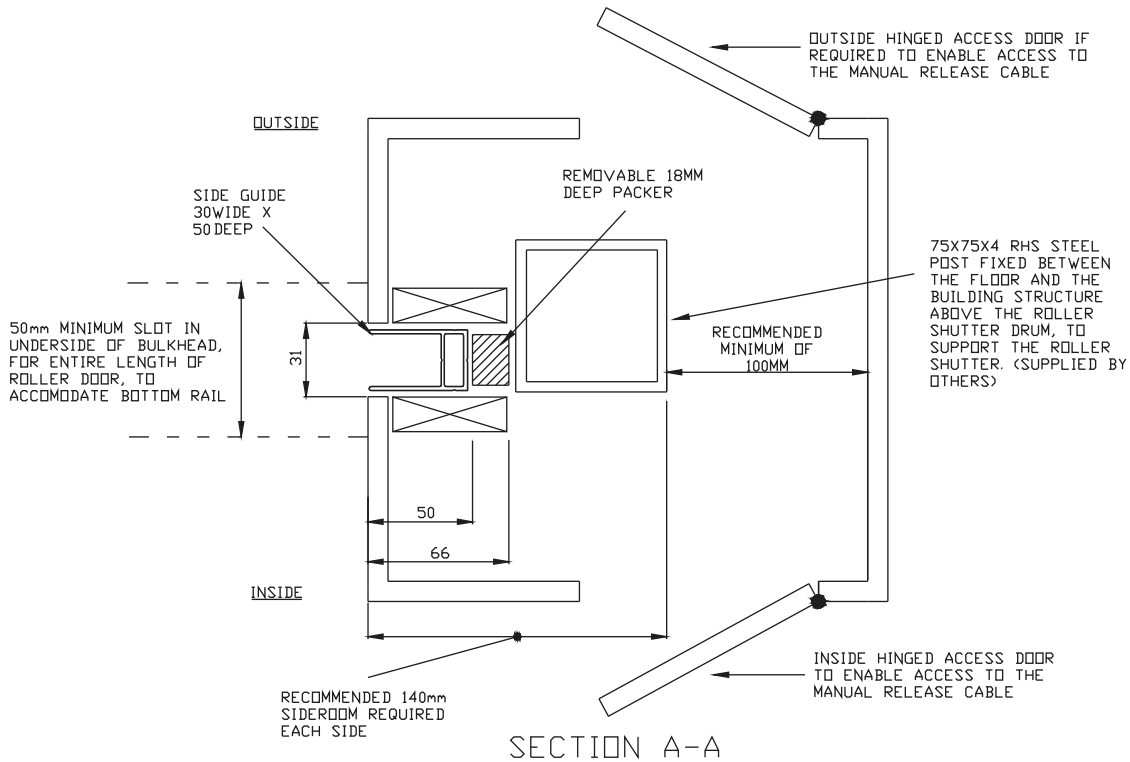


- ALUMINIUM CLEARVISION ROLLER SHUTTER
- ALUMINIUM SERIES II ROLLER SHUTTER
- ALUMINIUM COUNTERLINE ROLLER SHUTTER
- ALUMINIUM SECURITY GRILLES

MOTORISED ALUMINIUM ROLLER SHUTTER SUGGESTED BULKHEAD / COLUMN DETAILS



ELEVATION OF DOOR OPENING WITH
CUTAWAY SECTION OF CMU DRUM INSTALLED IN BULKHEAD

KRGS HAS A CONTINUOUS PROGRAM OF PRODUCT DEVELOPMENT AND RESERVES THE RIGHT TO CHANGE SPECIFICATIONS AT ANY TIME WITHOUT NOTICE

- PLEASE NOTE:
1. KRGS SHUTTERS MUST BE INSTALLED TO STRUCTURAL SUPPORTS
i.e. RHS STEEL POSTS, CORE FILLED MASONRY, TILT UP CONCRETE PANELS
 2. ALL STRUCTURAL SUPPORTS FOR BRACKETS AND SIDE GUIDES TO BE PROVIDED BY OTHERS